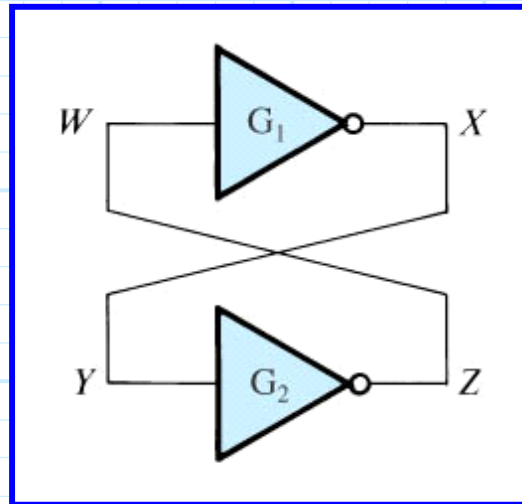


The Digital "Latch"

Consider two digital inverters that are "cross coupled":



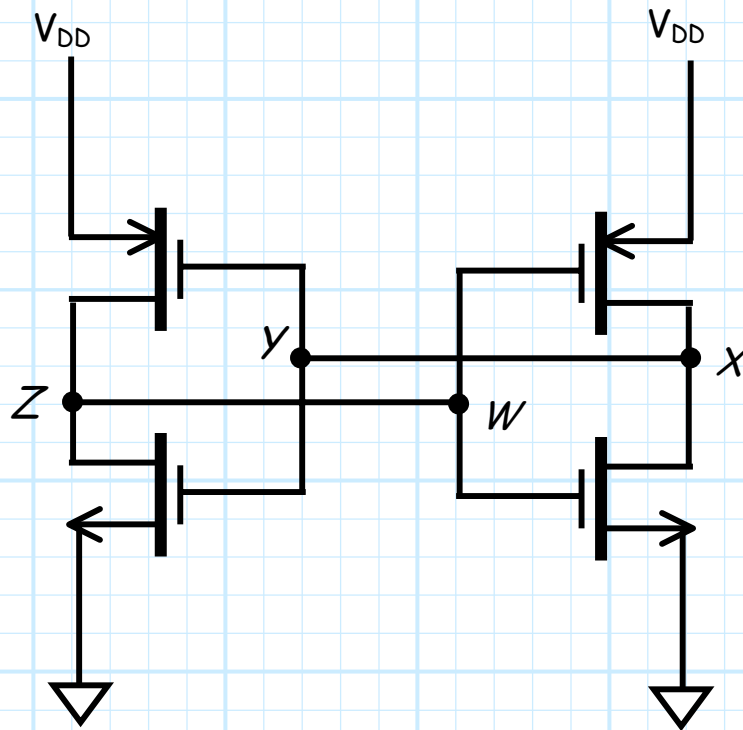
Note that there are **two stable states** for this circuit:

W	X	Y	Z	W
0	1	1	0	0
1	0	0	1	1

Thus, the latch will remain in either state until changed by an external input.

→ **A memory device!**

We of course can use **CMOS inverters** to build this latch:



We must add external input in order to **change** the latch state.

→ The result will be a **Set/Reset Flip Flop!**